



# 18W CCT LED LIGHT KIT FOR CAIRNS ABS AC CEILING FAN – 22882/05 (WHITE) / 22882/06 (BLACK)

Congratulation on the purchase of your new Brilliant 18W CCT LED Light Kit for CAIRNS ABS AC ceiling Fan. Before first using, it is most important that you read and follow these instructions, even if you feel you are quite familiar with this type of product. Keep this document handy for future reference.

**THIS FITTING MUST BE INSTALLED BY A QUALIFIED ELECTRICAL CONTRACTOR in accordance with the latest AS/NZS 3000 and relevant amendments**

## FOR YOUR SAFETY

- To prevent electrical shock, please ensure that **POWER is DISCONNECTED** before installation.
- During use the light head and/or light assembly may become hot.
- Do not install in a position where the fitting can be easily accessed by children or the infirm.
- Do not touch any parts of the assembly with bare hands while it is 'ON'.
- Be aware of the height of your installation. Refer to '**Working at Heights**' guide from your local or State Authorities.
- Any alterations or additions to building wiring **must be completed by a licensed electrician** or person authorised by legislation to work on the fixed wiring of any electrical installation.



22882/05



22882/06



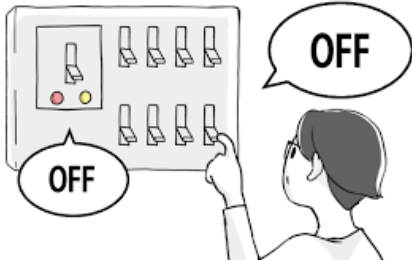
# 18W LED LIGHT KIT FOR CAIRNS ABS AC CEILING FAN – 22882/05 (WHITE) / 22882/06 (BLACK)

Before first using your new fitting, it is most important that you read and follow these instructions, even if you feel you are quite familiar with this type of product. Retain this document for future reference.

**THIS FITTING MUST BE INSTALLED BY A QUALIFIED ELECTRICAL CONTRACTOR in accordance with the latest AS/NZS 3000 and relevant amendments**

## INSTALLATION

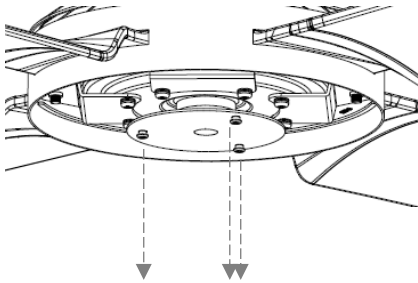
- 1) Ensure the Mains Supply is switched 'OFF'.



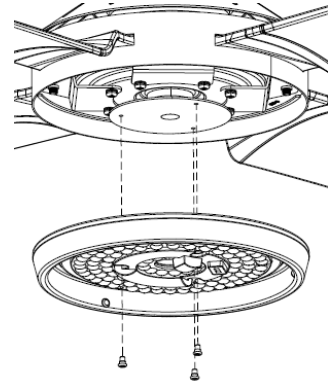
- 2) Remove ABS bottom cover on the ceiling fan



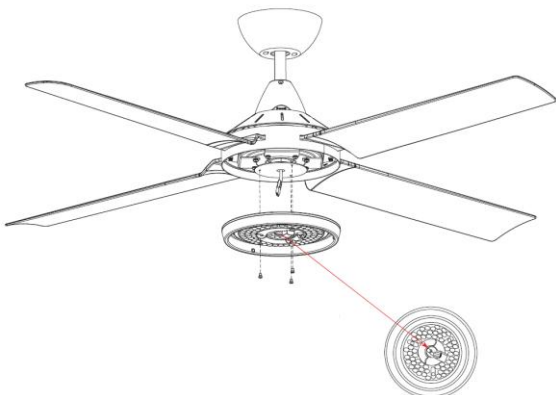
- 3) Remove the 3 screws on the light plate, and keep them safely (do not discard)



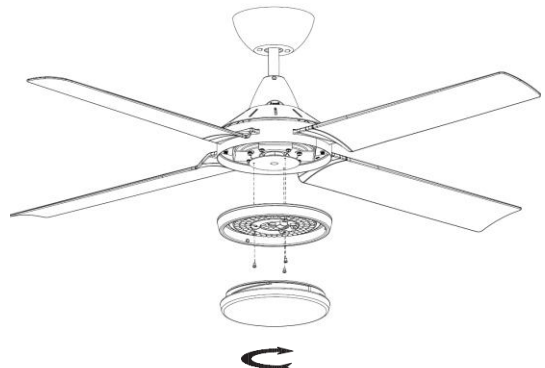
- 4) Secure the light kit with the 3 screws provided with the light kit and fully tighten.



- 5) Connect the light plug from the fan into the LED Array connector socket.



- 6) Attach the light diffuser, twist and lock securely. Turn the power back ON. The light is ready to use.



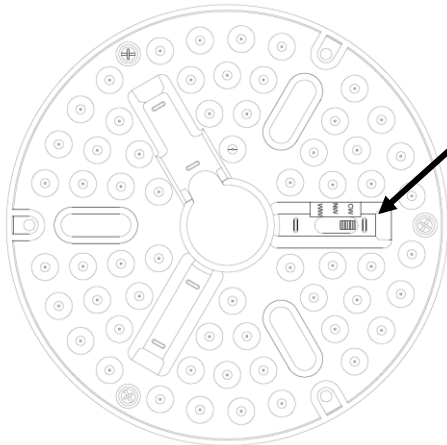


# 18W LED LIGHT KIT FOR CAIRNS ABS AC CEILING FAN – 22882/05 (WHITE) / 22882/06 (BLACK)

Before first using your new fitting, it is most important that you read and follow these instructions, even if you feel you are quite familiar with this type of product. Retain this document for future reference.

**THIS FITTING MUST BE INSTALLED BY A QUALIFIED ELECTRICAL CONTRACTOR in accordance with the latest AS/NZS 3000 and relevant amendments**

## SELECT LED CCT LIGHT



### WW / CW / NW

The switch to select your desired color temperature are located on the LED array.

1. **WW (WARM WHITE) – 3000K**
2. **CW (COOL WHITE) – 4200K**
3. **NW (NATURAL WHITE) – 6000K**

**WARNING!**  
MAKE SURE THE LIGHT IS TURN OFF BEFORE SELECTING THE CCT SWITCH

### Compatible Dimmers List

| BRAND     | MODEL              |
|-----------|--------------------|
| BRILLIANT | 22092              |
| CABAC     | DMME               |
| CABAC     | HNS626DT           |
| CABAC     | HNS636DT           |
| CABAC     | HNS630DT           |
| CLIPSAL   | 32E450UDM          |
| CLIPSAL   | 32E450TM           |
| CLIPSAL   | 43E350RUD2M        |
| CLIPSAL   | 42ELEDM2           |
| DETA      | 6032B-SII and SIII |
| DETA      | 6035B              |
| DIGINET   | MEDM               |

| BRAND  | MODEL        |
|--------|--------------|
| HAGER  | WBMDUR       |
| HAGER  | WBMDUPB      |
| HPM    | EVM400A2     |
| HPM    | 250TMWE      |
| HPM    | 400LM        |
| HPM    | AR4002A2     |
| SAL    | SDD350UM     |
| SAL    | SDA450OU/LED |
| TRADER | DIMR         |
| TRADER | DIMPBD       |
| VOLTEX | DM250X       |
| VOLTEX | DM300S       |



# 18W LED LIGHT KIT FOR CAIRNS ABS AC CEILING FAN – 22882/05 (WHITE) / 22882/06 (BLACK)

| SPARE PARTS                |                                |
|----------------------------|--------------------------------|
| 18W DIMMABLE CCT LED Array | Frosted Acrylic Light Diffuser |
| 22693SP001                 | 22882SP001                     |

## ENVIRONMENTAL PROTECTION:

This electrical product should not be disposed as normal waste. Please always recycle! Check with your Local Council about your recycle options.



## Warranty:

Brilliant Lighting warrants this product against defects in manufacture and workmanship for a period of 2 year from date of purchase or as specified elsewhere. For products used in non-domestic or commercial applications, Brilliant Lighting warrants this product for a period of 3 months from date of purchase. This warranty is only valid for products installed and operated within the guidelines specified by Brilliant Lighting, and within the correct operating voltage ranges as stated on the product's rating label.

Warranty does not include damage or loss arising from incorrect installation, operation or maintenance of this product, damage caused through modification, incorrect installation, service by unqualified or unauthorised personnel or lack of regular maintenance and cleaning. Proof of installation by qualified personnel may be required, e.g. Electrical Safety Certificate. Proof of purchase must be supplied with all warranty claims.

This warranty is provided in addition to any other rights and remedies of the customer under any law. In applications not intended for household, personal or domestic use, liability is limited to replacement or reimbursement of product only. Brilliant Lighting does not warranty the costs of removal or re-installation of this product or associated components.

The warranty does not cover Ripple Control noise/interference (identified by a periodic or intermittent hum or light flicker). This must be addressed with your energy service provider. The warranty does not cover noises or faults due to poor installation

*Our goods come with guarantees that cannot be excluded under the Australian Consumer Law. You are entitled to a replacement or refund for a major failure and compensation for any other reasonably foreseeable loss or damage. You are also entitled to have the goods repaired or replaced if goods fail to be of acceptable quality and the failure does not amount to a major failure.*

Any claim under this warranty must be made within the specified warranty period from date of purchase of this product. To make a claim under the warranty; at your own expense take the product (with proof of purchase – receipt or similar) to the store where you purchased the product or contact Brilliant Lighting at the address below.

This warranty is given by:  
**Brilliant Lighting (Aust) Pty. Ltd.**  
ABN 37 006 203 694  
Caribbean Park, 36 Lakeview Drive, Scoresby, VIC 3179, Australia  
Phone: 03 9765 2555  
Email: [warranty@brilliantlighting.com.au](mailto:warranty@brilliantlighting.com.au)  
MADE IN CHINA